

# Design Engineer (m/f/d) - Mechanical Design, Special Vehicle Construction (full-time 40h/week)

## Your tasks:

- Engineering and design tasks in our team "Special Vehicle Technology - Mobile Cranes" with the main focus on
  - Mechanical design (sheet metal bending parts, welded constructions)
  - Cable routing (hydraulics, electrics, pneumatics)
  - Installation investigations / feasibility studies
- 3D-CAD design of assemblies / components with CATIA V5 or SIEMENS NX as well as their installation and assembly in close communication with our technical calculation team
- Creation of parts lists
- Creation of standard and guideline-compliant manufacturing and assembly drawings in 2D
- Carrying out drawing checks (internally as well as in coordination with customers)

## Requirements:

- Technician (mechanical engineering) or comparable qualification
- Technical understanding and solution-oriented way of working
- Responsible, independent and team-oriented way of working
- First professional experience in design and product development of mechanical components

## Desirable:

- Knowledge in the field of commercial vehicle technology, engine technology or drive technology
- Confident handling of PDM and CAD systems (preferably CATIA, NX)
- High communication skills in the technical team and in customer contact (language: DE & EN)

## What awaits you :

- Become part of the energy turnaround in the engineering environment
- Permanent position for an unlimited period (full-time, 40h/week).
- Varied and interesting tasks in our "Special Vehicle Technology" team
- Hybrid work models, flexible working, trust-based working hours
- Open, informal working atmosphere with flat hierarchies
- Personal development and perspectives for a long-term cooperation

## Interested?

**We look forward to hearing from you or receiving your application!**



Julia Gebhardt

+49 9151 60 950 69

[Julia.gebhardt@ctwe.de](mailto:Julia.gebhardt@ctwe.de)

# Design Engineer (m/f/d) - Mechanical Design, Special Vehicle Construction (full-time 40h/week)

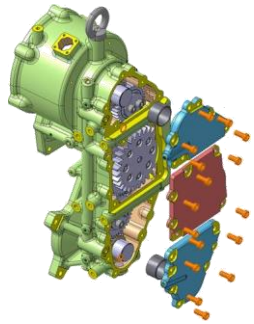
## Project examples and typical tasks

### Product development (3D-CAD)

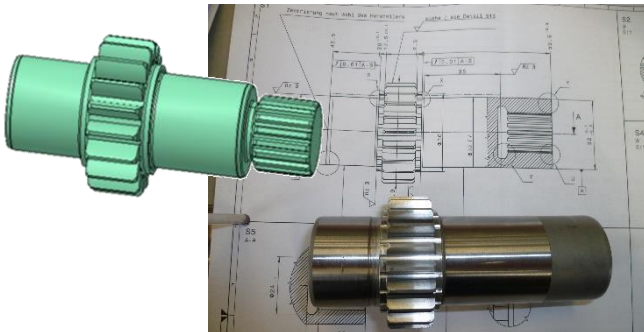


We develop mechanical components for our customers according to their requirements and wishes.

Example: Power take off / gearbox

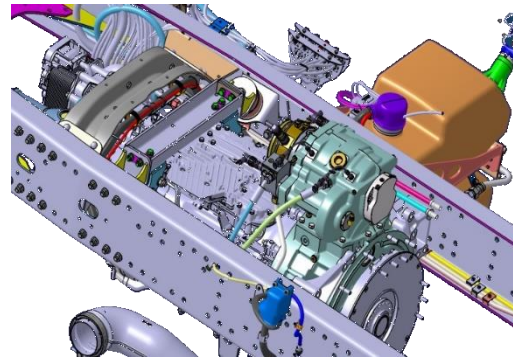


- Conceptual design
- Layout, calculation and design
- Prototype procurement and initial assembly



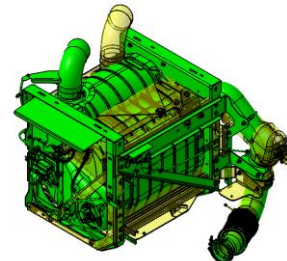
### Installation tests / feasibility studies

e.g. integration of new components into the existing vehicle environment, collision testing, determination of modification efforts



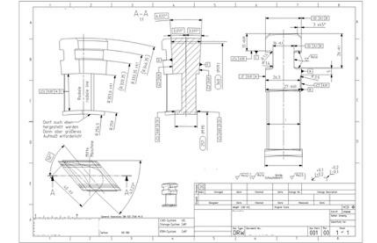
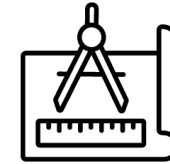
### Adaptation design

Integration of new components (e.g. for exhaust gas aftertreatment) and adaptation of peripherals and interfaces (holders, piping, etc.)



### Detailed Engineering & Documentation

- Creation of standard-compliant production drawings (sheet metal/welded constructions)
- Determination of tolerances
- Data maintenance in PLM/SAP
- Technical documentation, creation and processing of change requests



**Interested?**

**We look forward to hearing from you or receiving your application!**



Julia Gebhardt

+49 9151 60 950 69

[Julia.gebhardt@ctwe.de](mailto:Julia.gebhardt@ctwe.de)